

BICSI

Exam Questions RCDD

BICSI RCDD



NEW QUESTION 1

- (Topic 1)

A reasonable approximation for the signal speed in 100 ohm balanced twisted pair cable is _____, where c is the velocity of light in free space.

- A. 0.2 c
- B. 0.4 c
- C. 0.6 c
- D. 0.8 c
- E. 0.9 c

Answer: C

NEW QUESTION 2

- (Topic 2)

You are required by architectural design to place UTP cables in the same space as unshielded power lines. How should you proceed with the placement of your cables?

- A. Require the architect/electrical engineer to place shielding in the space before your UTP is placed.
- B. You should provide a minimum separation of 610 mm (24 in).
- C. You should provide a minimum separation of 229 mm (9 in).
- D. You should provide a minimum of two 101 mm (4 in) RMC.

Answer: B

NEW QUESTION 3

- (Topic 2)

You are placing Category 6 unshielded twisted-pair (UTP) in cable tray down a hallway past the elevator mechanical room. What action should you take to avoid effects of electromagnetic interference (EMI)?

- A. Provide a minimum separation of 1194 mm (47 in)
- B. Provide a minimum separation of 2060 mm (81 in)
- C. Require the architect to install metallic foil shielding on the mechanical room walls
- D. Provide RMC/IMC (rigid metallic conduit/intermediate metal conduit) through all areas within 4.6 m (15 ft) of the mechanical room

Answer: A

NEW QUESTION 4

- (Topic 5)

The standard floor space coverage area for each building automation system (BAS), is a BAS outlet or device for every _____ of floor space.

- A. 9.3 m² (100 ft²)
- B. 23 m² (250 ft²)
- C. 31 m² (330 ft²)
- D. 56 m² (600 ft²)
- E. 84 m² (904 ft²)

Answer: B

NEW QUESTION 5

- (Topic 5)

Using the "pathway design" for horizontal cable distribution, how many cable runs are placed to serve 15 individual?

- A. 15
- B. 30
- C. 45
- D. 60

Answer: C

NEW QUESTION 6

- (Topic 6)

You have been asked to project manage a fiber cable backbone installation. In the course of the installation, you notice the fiber cable with a 25 mm (1 in) outside diameter is being installed into a small TR, and the cable is being installed into a tight corner. Based on your knowledge of minimum bend radius requirements for fiber cable, you must ensure that the MINIMUM cable bend radius of _____ is provided when the cable installation is completed.

- A. 254 mm (10 in)
- B. 305 mm (12 in)
- C. 381 mm (15 in)
- D. 457 mm (18 in)
- E. 610 mm (24 in)

Answer: A

NEW QUESTION 7

- (Topic 7)

You are starting work on a new high school. The architect has provided you with a telecommunications room located between the kitchen cold store room and the automotive and welding shops. What should you do?

- A. Work with the architect to find another location
- B. Insist that the welding shop be placed as far from the telecommunications space as possible
- C. File a complaint with the client
- D. Provide shielded cable tray in the telecommunications room and in the outer halls
- E. Request that shielding be placed around the compressors and the arc welding units

Answer: A

NEW QUESTION 8

- (Topic 7)

The recommended MINIMUM number of conduits connecting two located on the same floor is:

- A. One; 75 mm (trade size 3)
- B. Two; 75 mm (trade size 3)
- C. One; 100 mm (trade size 4)
- D. Two; 100 mm (trade size 4)

Answer: A

NEW QUESTION 9

- (Topic 10)

An isolated ground is used to:

- A. Reduce transients
- B. Prevent interruptions
- C. Reduce EMI/RFI
- D. Reduce swells and sags

Answer: C

NEW QUESTION 10

- (Topic 10)

You have been asked to provide a UPS that is always serving the load from its batteries and the electrical supply is used only to recharge the batteries. Which one of the following types of UPS will meet this requirement?

- A. Off line, standby
- B. Line interactive
- C. Online double conversion
- D. Rotary
- E. Flywheel

Answer: C

NEW QUESTION 11

- (Topic 12)

When balanced twisted-pair copper cabling, return loss is a measurement of the:

- A. Worst case difference in magnitude between the expected insertion loss and the actual measured insertion loss
- B. Reflection of signal power resulting from the insertion of a device in a transmission line (in dB)
- C. Signal coupling between any two pairs along the entire length of the cabling
- D. Loss in signal resulting from the insertion of a component, of link, or channel, between a transmitter and a receiver
- E. Time required for a signal to travel from one end of the transmission path to the other end

Answer: B

NEW QUESTION 12

- (Topic 14)

The headend has several audio-video playback devices within it. What piece of equipment is required to assign their output signals to specific RF carriers on the CATV system?

- A. Modulator
- B. Combiner
- C. Splitter
- D. Multipoint tap

Answer: A

NEW QUESTION 13

- (Topic 19)

Which of the following is NOT a type of intrusion detection system sensor?

- A. Time-auxiliary
- B. Capacitance
- C. Vibration

- D. Electromechanical
- E. Thermal

Answer: A

NEW QUESTION 14

- (Topic 20)

An outside plant (OSP) cable must be placed under a pipeline with two side by side pipe runs. The distance between the outside pipes is 6 m (20 ft). What is the length of the conduit required to facilitate the pipeline crossing?

- A. 6 m (20 ft)
- B. 7.6 m (25 ft)
- C. 9 m (30 ft)
- D. 10.7 m (35 ft)
- E. 12 m (40 ft)

Answer: E

NEW QUESTION 15

- (Topic 20)

Which one of the following is NOT an advantage of direct-buried cable?

- A. Is flexible for future reinforcements or changes
- B. Has a low initial installation cost
- C. Can easily bypass obstructions
- D. Preserves the aesthetic appearance of buildings

Answer: A

NEW QUESTION 16

- (Topic 20)

When a building is not on the property line, the building owner should provide a MINIMUM of _____ conduits from a point inside the building, to the property line or easement for entrance facilities.

- A. Five
- B. Four
- C. Three
- D. Two

Answer: D

NEW QUESTION 17

- (Topic 23)

What is the MINIMUM clearance needed between the front of the telephone booth and any wall or fixture for most installations?

- A. 300 mm (12 in)
- B. 450 mm (18 in)
- C. 610 mm (24 in)
- D. 914 mm (36 in)
- E. 2.4 m (8 ft)

Answer: C

NEW QUESTION 18

- (Topic 23)

In new construction, what is the percentage of pay phones that must be equipped with volume controls?

- A. 4
- B. 10
- C. 25
- D. 35
- E. 50

Answer: C

NEW QUESTION 19

- (Topic 23)

A telephone facility and an electrical facility are required in a tunnel. To reduce the effects of EMI and eliminate the need for additional shielding of the cables, where would each facility be placed?

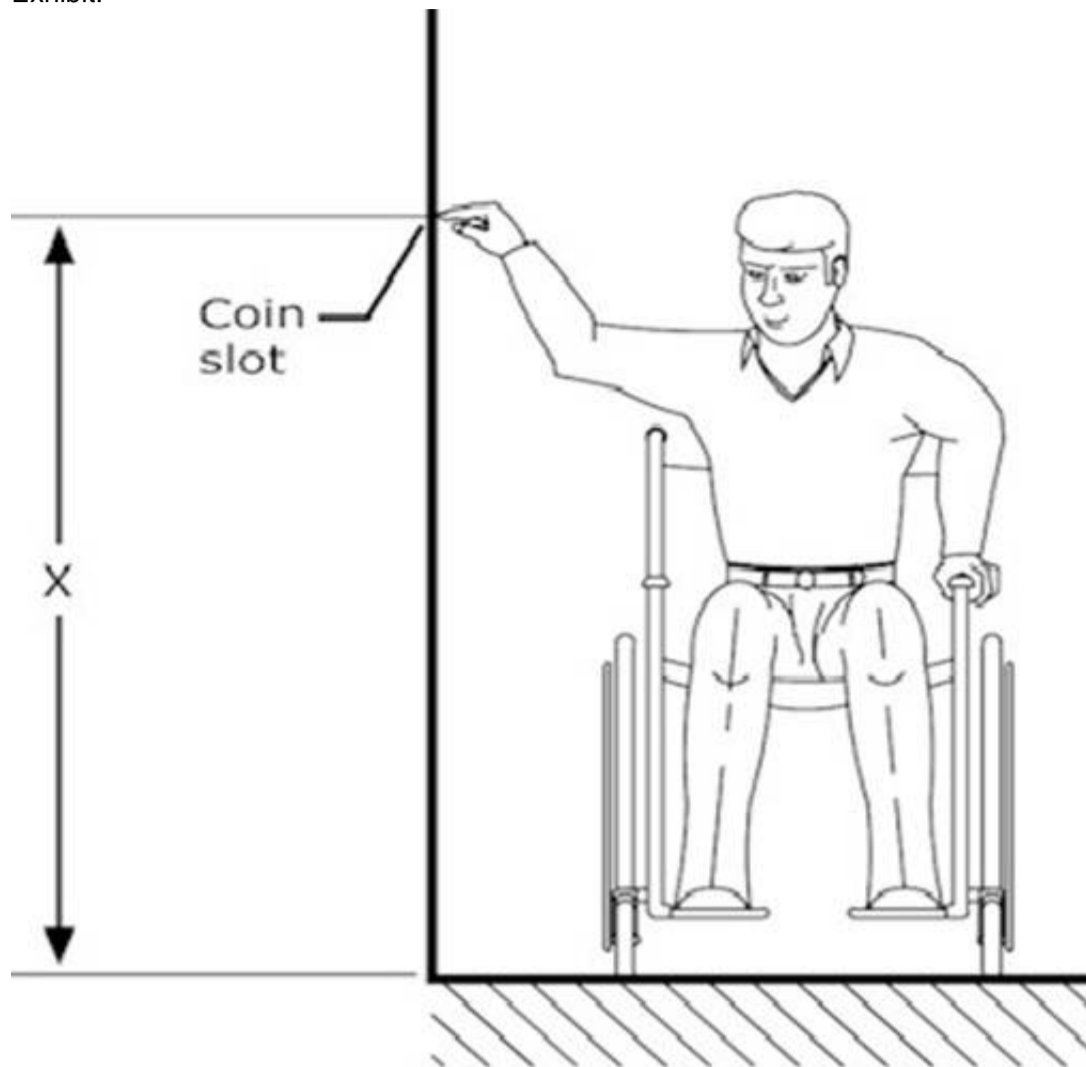
- A. On opposite sides of the tunnel
- B. On the same sides of the tunnel
- C. Together on the same pathway for easy access and maintenance
- D. One on the top part and one on the bottom part of the same side of the tunnel
- E. On the exterior of the tunnel

Answer: A

NEW QUESTION 20

- (Topic 23)

Exhibit:



Side reach limits

A pay telephone using coins needs to be installed in a public area. In the specifications, it is required that the telephone shall meet the ADA (Americans with Disability Act) requirement for side reach using a wheelchair. What will be the maximum reachable height or the value of "X"?

- A. 760 mm (30 in)
- B. 864 mm (34 in)
- C. 1170 mm (46 in)
- D. 1220 mm (48 in)
- E. 1370 mm (54 in)

Answer: E

NEW QUESTION 21

.....

Thank You for Trying Our Product

We offer two products:

1st - We have Practice Tests Software with Actual Exam Questions

2nd - Questions and Answers in PDF Format

RCDD Practice Exam Features:

- * RCDD Questions and Answers Updated Frequently
- * RCDD Practice Questions Verified by Expert Senior Certified Staff
- * RCDD Most Realistic Questions that Guarantee you a Pass on Your First Try
- * RCDD Practice Test Questions in Multiple Choice Formats and Updates for 1 Year

100% Actual & Verified — Instant Download, Please Click
[Order The RCDD Practice Test Here](#)