

Cisco

Exam Questions 300-815

Implementing Cisco Advanced Call Control and Mobility Services (CLACCM)



NEW QUESTION 1

An administrator is troubleshooting call failures on an H.323 gateway via the CLI. To see signaling for media and call setup, which debug must the Administrator turn on?

- A. debug H.323 messages
- B. debug H.225 asn1
- C. debug H.246 asn 1
- D. debug H.225 media
- E. debug H.323 asn 1

Answer: B

NEW QUESTION 2

What is first preference condition matched in a SIP-enabled incoming dial peer?

- A. incoming uri
- B. target carrier-id
- C. answer-address
- D. incoming called-number

Answer: A

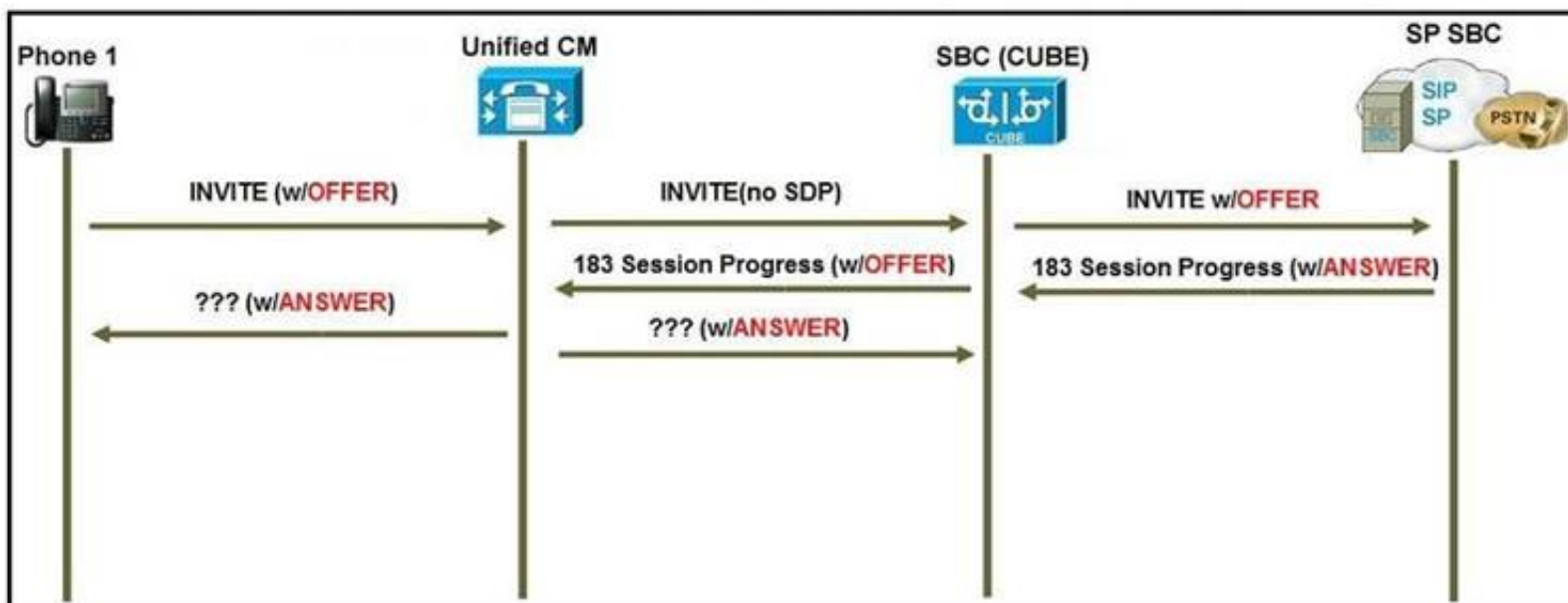
NEW QUESTION 3

A support engineer is troubleshooting a voice network. When conducting a search for call setup details related to calling search space issues, which trace files should be investigated?

- A. CallManager traces
- B. CTI Manager traces
- C. Cisco IP Manager Assistant
- D. Call logs

Answer: A

NEW QUESTION 4



Refer to the exhibit. A user reports that when they call a specific phone number, no one answers the call, but when they call from a mobile phone, the call is answered. The engineer troubleshooting the issue is expecting the far-end gateway to cut through audio on the 183 Session Progress SIP message. Which SIP Profile configuration element is necessary for the Cisco Unified Communications Manager to send acknowledgement of provisional responses?

- A. Allow Passthrough of Configured Line Device Caller Information must be enabled.
- B. Accept Audio Codec Preferences in Received Offer must be set to On.
- C. On the SIP Profile, the configuration parameter SIP Rel1XX Options must be set to Send PRACK for all 1xx Messages.
- D. Early Offer for G Clear Calls must be enabled.

Answer: C

NEW QUESTION 5

Which IOS command creates a SIP-enabled dial peer?

- A. voice dial-peer 20 sip
- B. dial-peer voice 20 voip
- C. dial-peer voice 20 pots
- D. dial peer voice 20 sip

Answer: B

NEW QUESTION 6

Which two descriptions of the Standard Local Route Group deployment are true? (Choose two.)

- A. can be associated under the route group
- B. can be associated only under the route list
- C. chooses the route group that is configured under the device pool of the calling-party device
- D. chooses the route group that is configured under the device pool of the called-party device
- E. can be assigned directly to the route pattern

Answer: BD

NEW QUESTION 7

Refer to the exhibit. An engineer configures Cisco Unified Border Element to connect the enterprise VoIP network with a SIP telephony provider. Calls are not working in either direction. What must be configured in the dial peer 1 to fix the issue?

- A. address 555
- B. codec g729
- C. session-protocol sipv2
- D. incoming called number 555.....

Answer: D

NEW QUESTION 8

In Cisco Unified Communications Manager, which tool do you use to check SIP traces?

- A. MTP
- B. CCSIP
- C. RTMT
- D. OS Administration Page

Answer: C

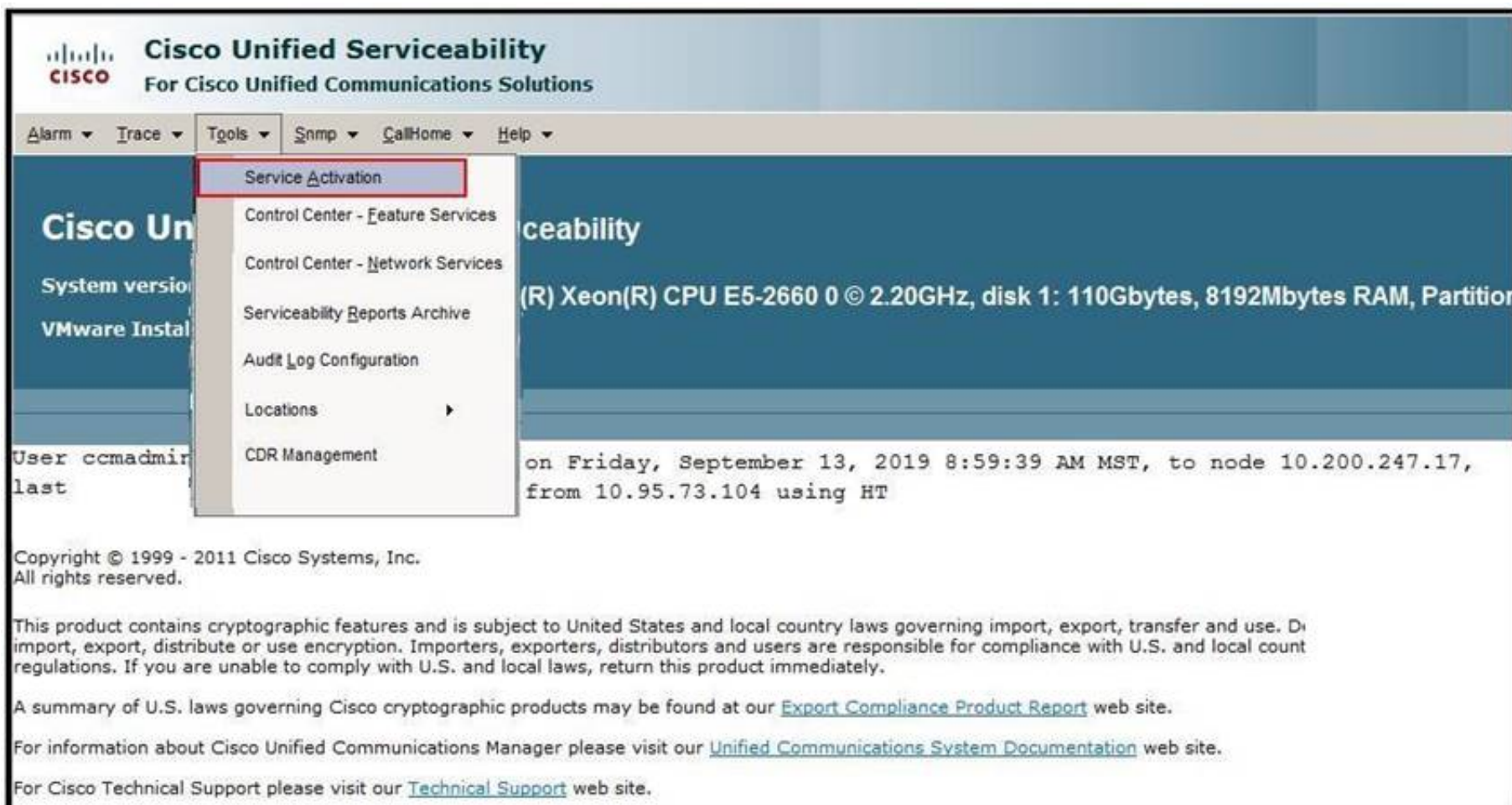
NEW QUESTION 9

The Cisco Unified Communications Manager Dialed Number Analyzer allows analysis of calls from which two devices? (Choose two.)

- A. translation patterns
- B. device pools
- C. CTI ports
- D. CTI route points
- E. IP phones

Answer: CE

NEW QUESTION 10



Refer to the exhibit. An administrator is troubleshooting a situation where a call placed from a phone registered to Cisco Unified Communications Manager does not complete. The administrator wants to use the Dialed Number Analyzer on Cisco Unified CM to check which translation pattern the call is matching. However, when logging in to Cisco Unified Serviceability there is no option for Dialed Number Analyzer under the tool menu. Which two steps must be performed to resolve this issue? (Choose two.)

- A. Restart the subscriber
- B. Activate the Cisco Extended Functions service.
- C. Activate the Cisco CallManager service.
- D. Activate the Cisco Dialed Number Analyzer service.
- E. Activate the Cisco Dialed Number Analyzer Server service.

Answer: DE

NEW QUESTION 11

An engineer is configuring a call park feature in Cisco Unified Communications Manager Express. Which command does the engineer use to ensure that the call is reverted to the user after 60 seconds?

- A. R2(config-ephone-dn)#park reservation-group 60
- B. R2(config-ephone-dn)#park-slot timeout 60 limit 2 recall alternate 3002
- C. R2(config-ephone-dn)#park reservation-group 1
- D. R2(config-ephone-dn)#park-slot timeout 30 limit 2 recall alternate 3002

Answer: B

NEW QUESTION 12

Which services are needed to successfully implement Cisco Extension Mobility in a standalone Cisco Unified Communications Manager server?

- A. Cisco Extended Functions, Cisco Extension Mobility, and Cisco AXL Web Service
- B. Cisco CallManager, Cisco TFTP, and Cisco CallManager SNMP Service
- C. Cisco CallManager, Cisco TFTP, and Cisco Extension Mobility
- D. Cisco TAPS Service, Cisco TFTP, and Cisco Extension Mobility

Answer: C

NEW QUESTION 13

.....

Thank You for Trying Our Product

We offer two products:

1st - We have Practice Tests Software with Actual Exam Questions

2nd - Questions and Answers in PDF Format

300-815 Practice Exam Features:

- * 300-815 Questions and Answers Updated Frequently
- * 300-815 Practice Questions Verified by Expert Senior Certified Staff
- * 300-815 Most Realistic Questions that Guarantee you a Pass on Your First Try
- * 300-815 Practice Test Questions in Multiple Choice Formats and Updates for 1 Year

100% Actual & Verified — Instant Download, Please Click
[Order The 300-815 Practice Test Here](#)